



# Transrotor Leonardo

## Instruction Manual

---

Our turntables are precise mechanical master-pieces, expressing a consequent handicraft.

It is our goal to manufacture a turntable for our customers which sounds excellent, is comfortable and logically to handle, made only of best material, functions for decades and later offers an easy service.

---

## **DELIVERY EXTENT (Standard)**

## **(LIEFERUMFANG)**

Before building up the turntable please check if all parts are enclosed.

Motor

Power-supply-unit

3 Turntable feet

Belt

Platter

One pair of cotton gloves

Bag of tonearm-accessories and instruction manual

(Cartridge-accessories & instruction manual)

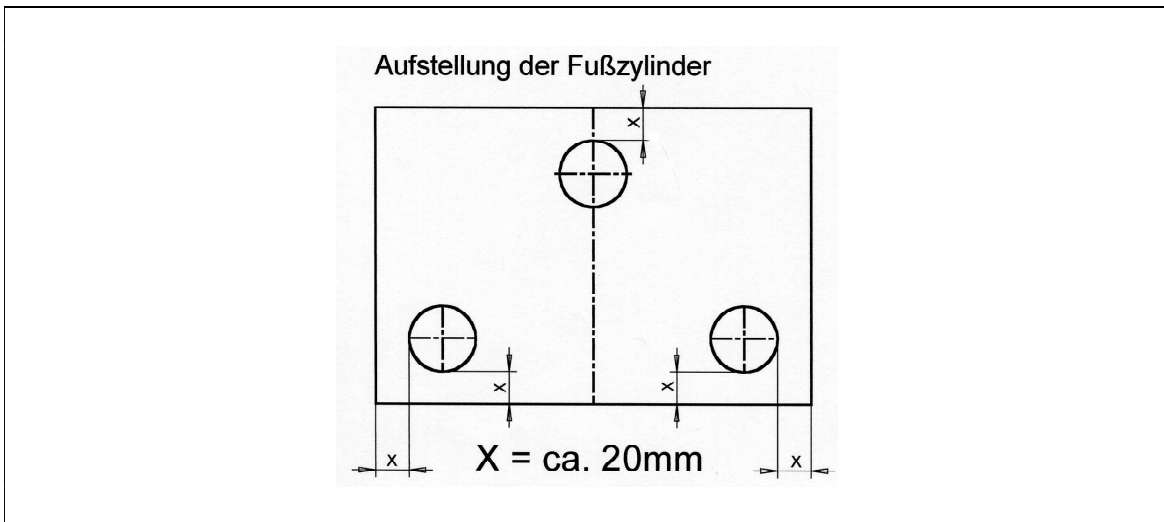
---

## CONSTRUCTION

## (AUFBAU)

Please start to build-up the turntable at its final place, because of difficult transport after construction. To avoid fingerprints on perspex and polished parts please put on the enclosed gloves.

1. Arrange the three turntable feet in a triangle-form (two in the front and one midst in the back).
2. Lay the turntable chassis on the feet.
3. Lift the chassis at the backside and set the motor from below midst into the round hole in the chassis. The motor with the cables has to be adjusted towards the left corner at the backside. Please consider that the motor shall not directly contact the chassis.
4. Now adjust the turntable feet. The two feet in the front should be placed ca. 20mm from the side and the front of the chassis. The backfeet should also be placed midst ca. 20mm from the backside. When using a 2<sup>nd</sup> chassis (doppio), start with this one first and then follow point two etc.



5. Pull-off the upper part of the mainbearing and fill-in the whole injection, containing mainbearing-oil, into the oil-reservoir (see attachment). Set the upper part on top again.

6. Fix the belt around the inner-platter and the motor-pully. The inner-platter has **one** separate groove, the motor-pully has **four** grooves:

**upper groove (big diameter) = 45 U/min**  
**lower groove (small diameter) = 33 1/3 U/min**

7. Take the platter out of the packing and set it on to the mainbearing.
8. Put the plug of the motor-cable into the power-supply-unit. Connect the power-supply-unit with the circuit. Basically the power-supply-unit can remain plugged-in as the power consumption with switched-off motor is quite insignificant. Disconnect the power-supply-unit only in case of longer no-usage.
9. Connect the tonearm-cable with both plugs at the phono-entrance of your amplifier:

**red = right channel**  
**black = left channel**

10. Please take information regarding the tonearm-adjustment from the special tonearm instruction-manual.
10. Please take information and dates regarding the installation of the cartridge from the special cartridge-manual.

---

## **USAGE**

## **(BEDIENUNG)**

Always switch-off the motor before laying a record on the platter.

### **Listening of records**

1. Lay a record on the platter.
  2. If a platter-weight is available, set it on the platter-spindle, so even slight wavy records can be played with accuracy and a high quality standard.
  3. Move the tonearm over the first groove of the record and then lower it with the tonearm-lift.
-

---

## SPECIALITIES

## (BESONDERHEITEN)

- The main bearing-oil has to be checked once a year. It has to be exchanged in case of discolouration or if dirt particles are discovered.
- The tonearm-base can be turned and taken-off by detaching the 3mm hexagon-screw.
- If using a Rega tonearm the tonearm-height can be adjusted by detaching the 3mm hexagon-screw lateral in the right back.

---

## CARE-INDICATION

## (PFLEGEHINWEIS)

Your Transrotor-turntable is manufactured only of very best material. All parts are sturdy, easy-care and made for a longlasting use. Please pay attention to the following indications to keep your turntable in a brilliant state.

### **Dustcover, chassis and platter**

Always use a moisty leather for normal cleaning. Never use a dry leather as scratches on the surface increase. You achieve the best result by using the cleaning-lotion **Laser Clean** and the floss free soft Laser Cloth. In addition the cleaned parts are mostly free of statical loading. Oil or grease stains can be removed easily by using benzine (pharmacy).

### **Aluminium and metal parts**

Also here, oil and grease stains can be removed with benzine. Slight scratches can be removed with a special aluminium-polish. Please do not use any other polish or cleaning agent.

### **Belt**

Rub the belt every once in a while in talcum. Remove loose talcum with a dry cloth before fixing the belt at the platter.

The careset contains:

- Aluminium-polish
  - Laser Clean
  - Laser Cloth
  - One pair of cotton gloves
  - (can be ordered through your dealer or via our service-number)
-

---

**ADDITIONAL DATA****Leonardo****Measurements: (w x d x h)**

44cm x 39cm x 17cm (incl. dust cover)

**Weight:**

approx. 18kg

**(SONSTIGE DATEN)****Leonardo doppio****Measurements: (w x d x h)**44cm x 39cm x 23cm  
(incl. dust cover)**Weight:**

approx. 21kg

---

**In case you have further questions regarding your turntable, accessory or service parts please ask your dealer or contact us via telephone.  
Service-number:**

**Monday – Thursday from 15.00 to 16.00pm, Tel: ++49-2202-31046**

---

**This turntable is expressly subject to any technical alterations, errors and omissions.**